

SINGER
7029/7035

LIST OF PARTS

TCE

Sewing Machine Models

7029

7035

From the library of: Diamond Needle Corp

by **SINGER®**



A Publication of Product Support
International Group Engineering

PartNo. 317161-072

Printed in Taiwan

SINGER Is a Registered Trademark of The Singer Company Limited
Copyright 1995, Singer Sewing Machine Company

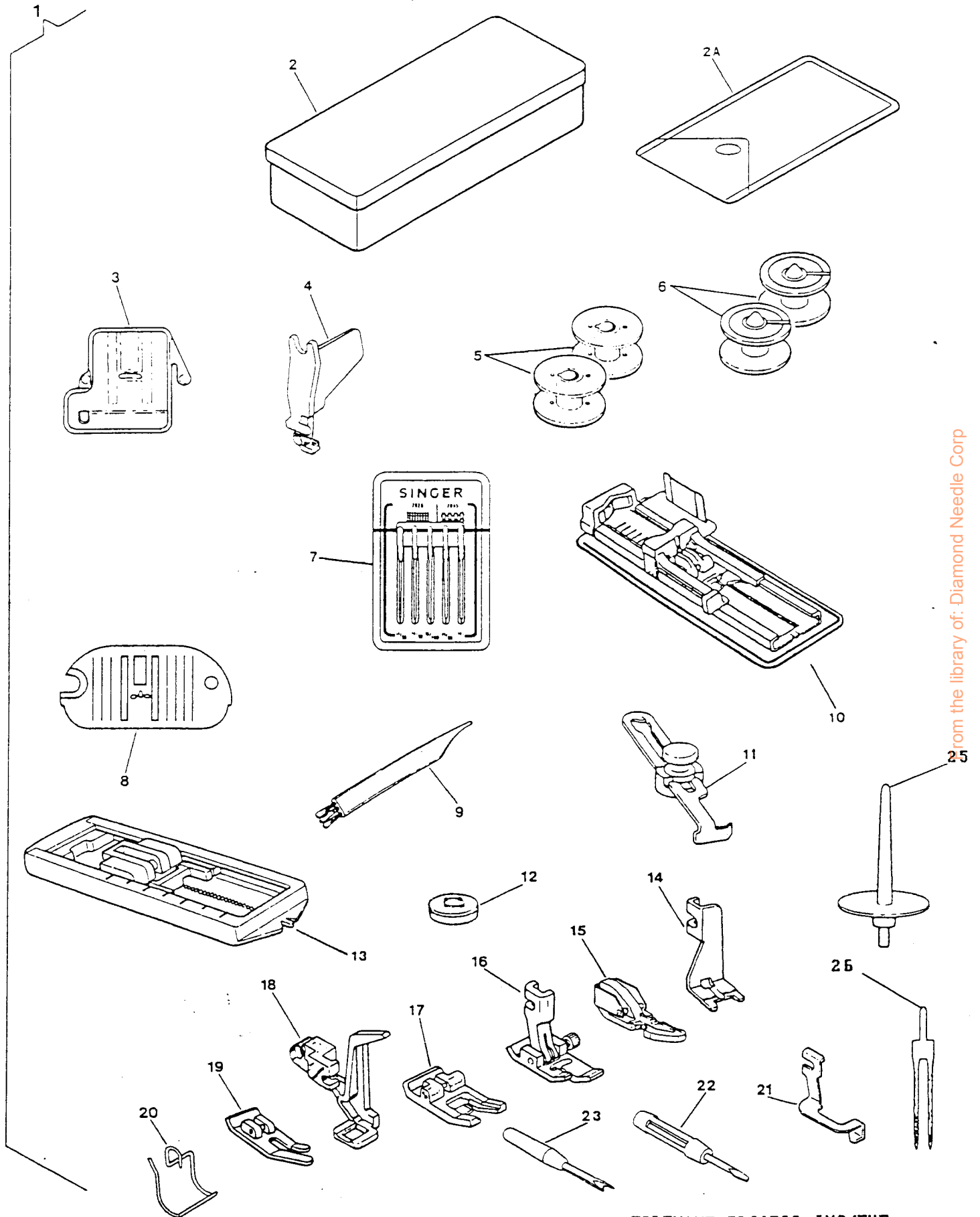
All rights reserved throughout the world

INDEX

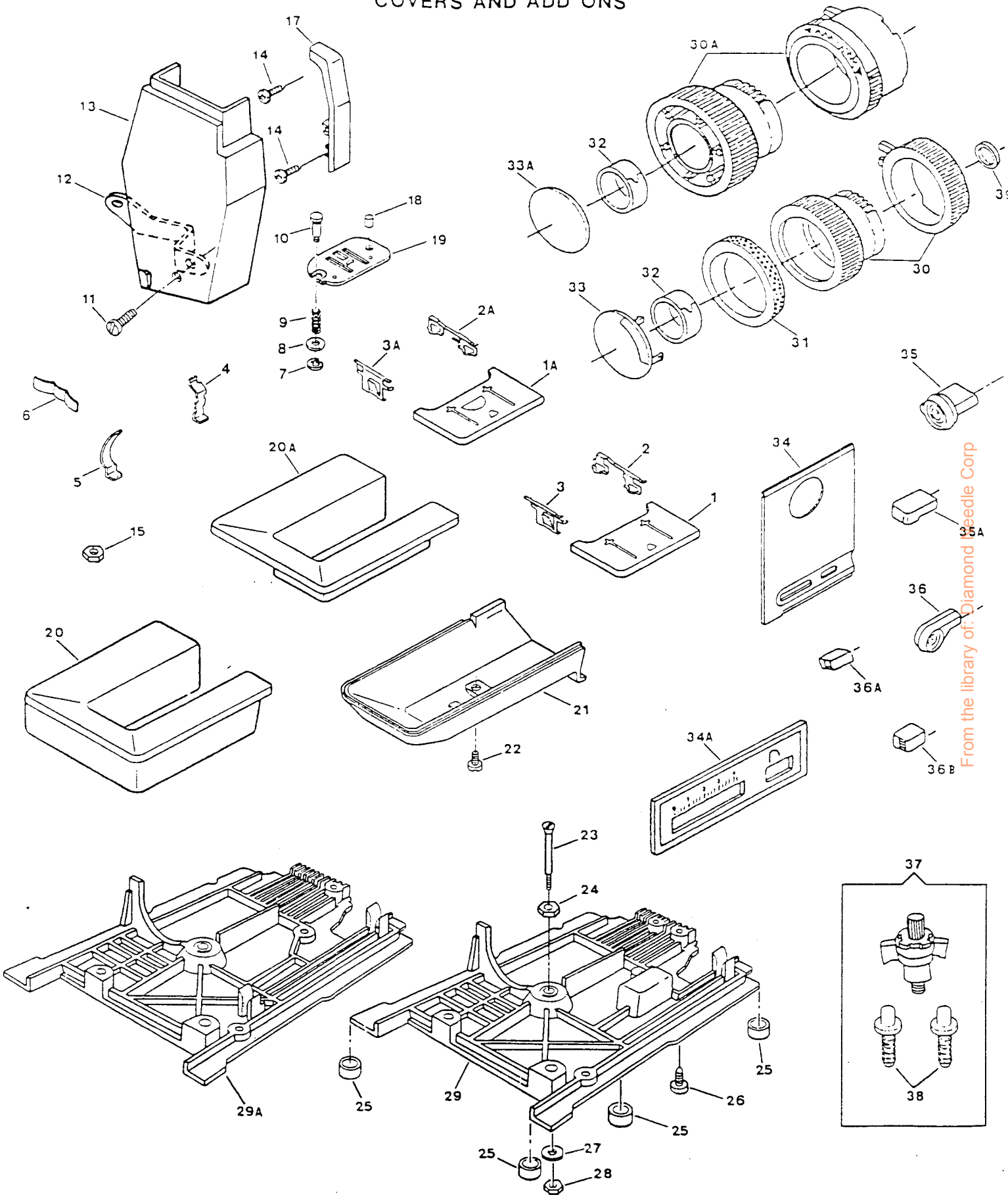
PAGE NO.	SUBASSEMBLY
1, 2	ATTACHMENT SET
3, 4	COVERS AND ADD ONS
5, 8	ARM TOP COVER
9, 10	ARM SHAFT DRIVE SYSTEM
11, 12	HAND WHEEL
13, 14	COAXIAL PRESSER BAR SYSTEM
15, 16	NEEDLE BAR & THREAD TAKE-UP
17, 18	ALPHA FEED
19, 20	HOOK SYSTEM (APOLLO)
21, 22	HOOK AND BOBBIN WINDING SYSTEM (CENTAUR)
23, 28	PATTERN, STITCH LENGTH CONTROL & CAM CONTROLLED FEED
29, 30	DEMAND RESPONSIVE NEEDLE TENSION SYTEM
31, 34	ELECTRICAL EQUIPMENT

ATTACHMENT SET
 MODEL: 7029N503 / 7035N603

REF. NO.	PART NO.	DESCRIPTION	7N	7N
			05	06
			20	30
			93	53
1	313030-007	ATTACHMENT COMPLETE	X	
1	313030-140	ATTACHMENT COMPLETE		X
2	402673-455	ACCESSORY BOX COMPLETE (ALT:402673-454)		X
2A	317396	ACCESSARY BAG	X	
3	313117	FEED COVER PLATE	X	X
5	172336-001	BOBBIN (APOLLO)	X	X
7	353364	NEEDLE PACK (ALT: 384064)	X	X
9	546358	LINT BRUSH	X	X
13	313992-451	PRESSER FOOT PLAT (4-STEP) FOR SEWING BUTTONHOLE	X	X
15	171480	PRESSER FOOT PLATE (SNAP-ON) FOR CORDING AND SLIDE FASTENERS COMPLETE	X	X
17	171463	SPECIAL PURPOSE PRESSER FOOT PLATE (SNAP-ON)	X	X
21	171110	BLINDSTITCH GUIDE	X	X



From the library of: Diamond Needle Corp



From the library of: Diamond Seedle Corp

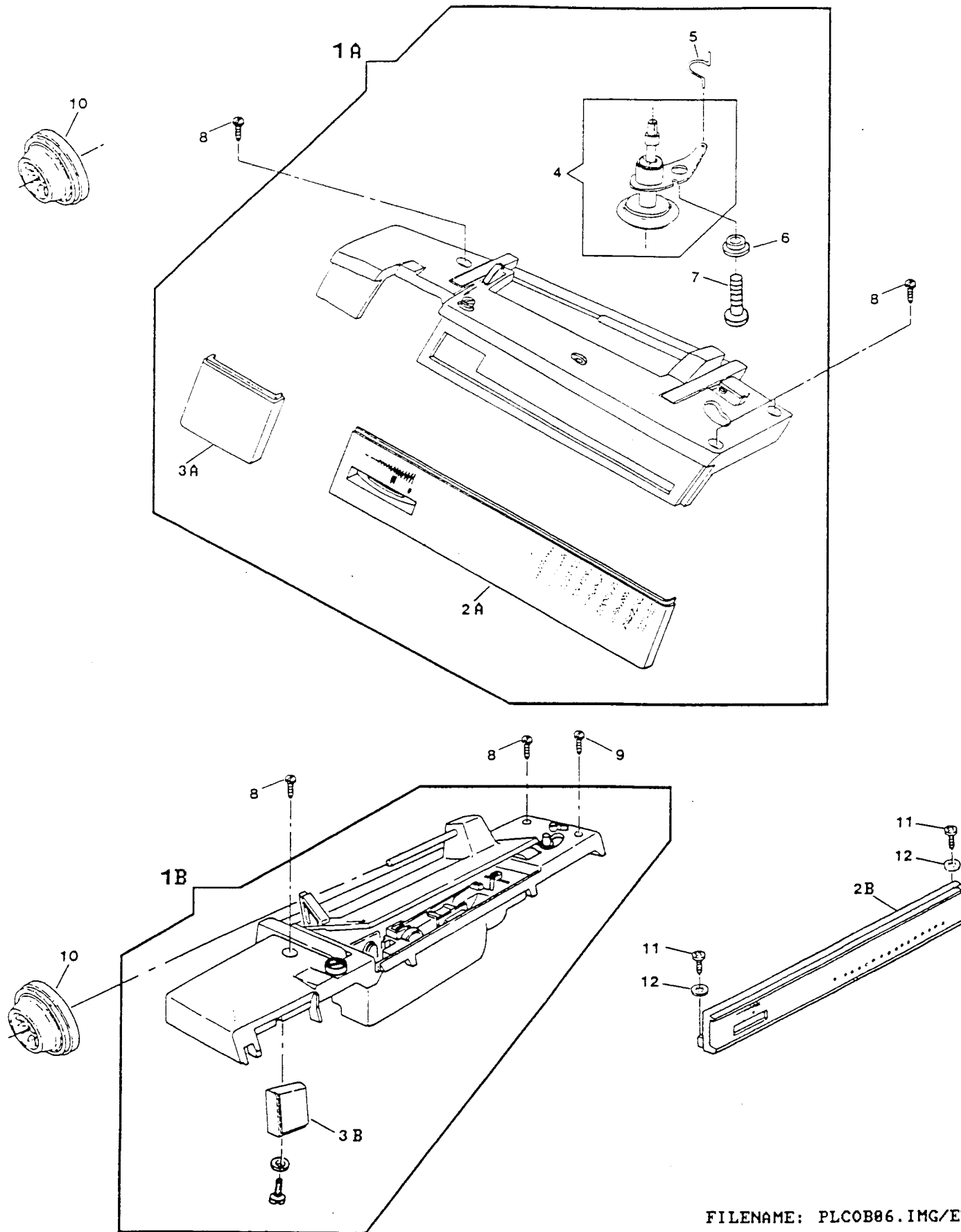
COVERS AND ADD ONS
MODEL: 7029N503 / 7035N603

REF. NO.	PART NO.	DESCRIPTION	7N	7N
			05	06
			20	30
			93	53
1	314666	BED SLIDE ASSEMBLY COMPLETE (APOLLO)	X	X
2	314669	BED SLIDE SPRING (RIGHT)	X	X
3	314670	BED SLIDE SPRING (LEFT)	X	X
4	313178	BED SLIDE STOP	X	X
5	313179	BED SLIDE STOP SPRING	X	X
6	313118	CLOTH PLATE SPRING	X	X
7	313098	THROAT PLATE POUNGER RETAINING RING	X	X
8	549426-451	THROAT PLATE PUNGER WASHER	X	X
9	312805	THROAT PLATE PLUNGER SPRING	X	X
10	312804	THROAT PLATE PLUNGER	X	X
11	113521-451	FACE PLATE MOUNTING SCREW	X	X
12	314263	FACE PLATE MOUNTING BRACKET	X	X
13	314259-008	FACE PLATE COMPLETE (#3913)	X	X
14	113470-003	THREAD TAKE-UP COVER MOUNTING SCREW	X	X
15	313049	BED INSERT NUT	X	X
17	314718-459	THREAD TAKE-UP COVER	X	X
18	353624	THROAT PLATE LOCATING PIN	X	X
19	312777	THROAT PLATE FOR ZIG-ZAG SEWING	X	X
20	317361-452	CLOTH PLATE (9020N644)		X
20A	317379-901	CLOTH PLATE	X	
21	312773-454	BED COVER (TUBULAR)	X	X
22	354633-452	BED COVER (TUBULAR) SCREW	X	X
23	313052-451	BOTTOM COVER MOUNTING BOLT	X	X
24	313173-451	BOTTOM COVER MOUNTING BOLT RETAINING NUT	X	X
25	313909-451	BED LEG CUSHION	X	X
26	113455-002	BED COVER PLATE (BOTTOM) SCREW	X	X
27	314712-451	BOTTOM COVER MOUNTING BOLT WASHER	X	X
28	313177-452	BOTTOM COVER MOUNTING BOLT MOUNTING NUT	X	X
29A	314774-001	BED COVER PLATE (BOTTOM)		X
29A	314774-003	BED COVER (DUAL VOLTAGE FOR U.S.A./KOREA/GERMANY & H.K.)	X	
30A	314239-472	PATTERN SELECTOR KNOB AND STITCH BALANCE KNOB KIT ASSEMBLY	X	
30A	314239-473	PATTERN SELECTOR KNOB AND STITCH BALANCE KNOB KIT ASSY		X
32	313535	PATTERN SELECTOR KNOB COMPRESSION RING	X	X
33A	314744-529	PATTERN SELECTOR KNOB TRIM PLATE (7029N503 H.O.F.)	X	
33A	314744-530	PATTERN SELECTOR KNOB TRIM PLATE		X
34A	137586-012	STITCH LENGTH CONTROL PANEL WITH GRAPHICS		X
34A	137586-015	STITCH LENGTH CONTROL PANEL WITH GRAPHICS	X	
35A	312657-468	REVERSE FEED CONTROL LEVER KNOB (PLASTIC)	X	X
36A	314676-468	BIGHT AMPLITUDE CONTROL LEVER KNOB (PLASTIC)	X	X
36B	312664-469	STITCH LENGTH CONTROL LEVER KNOB AND TENSION REGULATING KNOB (PLASTIC) AND NEEDLE POSITION CONTROL LEVER KNOB	X	X
37	313180	MACHINE HOLD DOWN MOUNTING KIT	X	X
38	148869	MACHINE LOCATOR PIN	X	X

ARM TOP COVER
 MODEL: 7029N503 / 7035N603

REF. NO.	PART NO.	DESCRIPTION	7N	7N
			05	06
			20	30
			93	53
1A	317122-120	ARM TOP COVER COMPLETE WITH HANDEL (7029N503 H.O.F.)	X	
1A	317122-121	ARM TOP COVER COMPLETE WITH HANDLE		X
2A	314640-978	CONTROL PANEL WITH GRAPHICS	X	
2A	314640-979	CONTROL PANEL WITH GRAPHICS		X
3A	314703-825	CONTROL PANEL EXTENSION WITH GRAPHICS	X	
3A	314703-826	CONTROL PANEL EXTENTION WITH GRAPHICS		X
4	312901	BOBBIN WINDER ASSEMBLY	X	
4	314675	BOBBIN WINDER ASSEMBLY		X
5	312897	BOBBIN WINDER LEVER SPRING	X	X
6	312613	BOBBIN WINDER LEVER HING SCREW SHOULDER WASHER	X	X
7	354927-004	BOBBIN WINDER LEVER HINGE SCREW	X	
8	354927-001	ARM TOP COVER MOUNTING SCREW	X	X
10	179967-461	SPOOL PIN THREAD LEAD-OFF	X	X

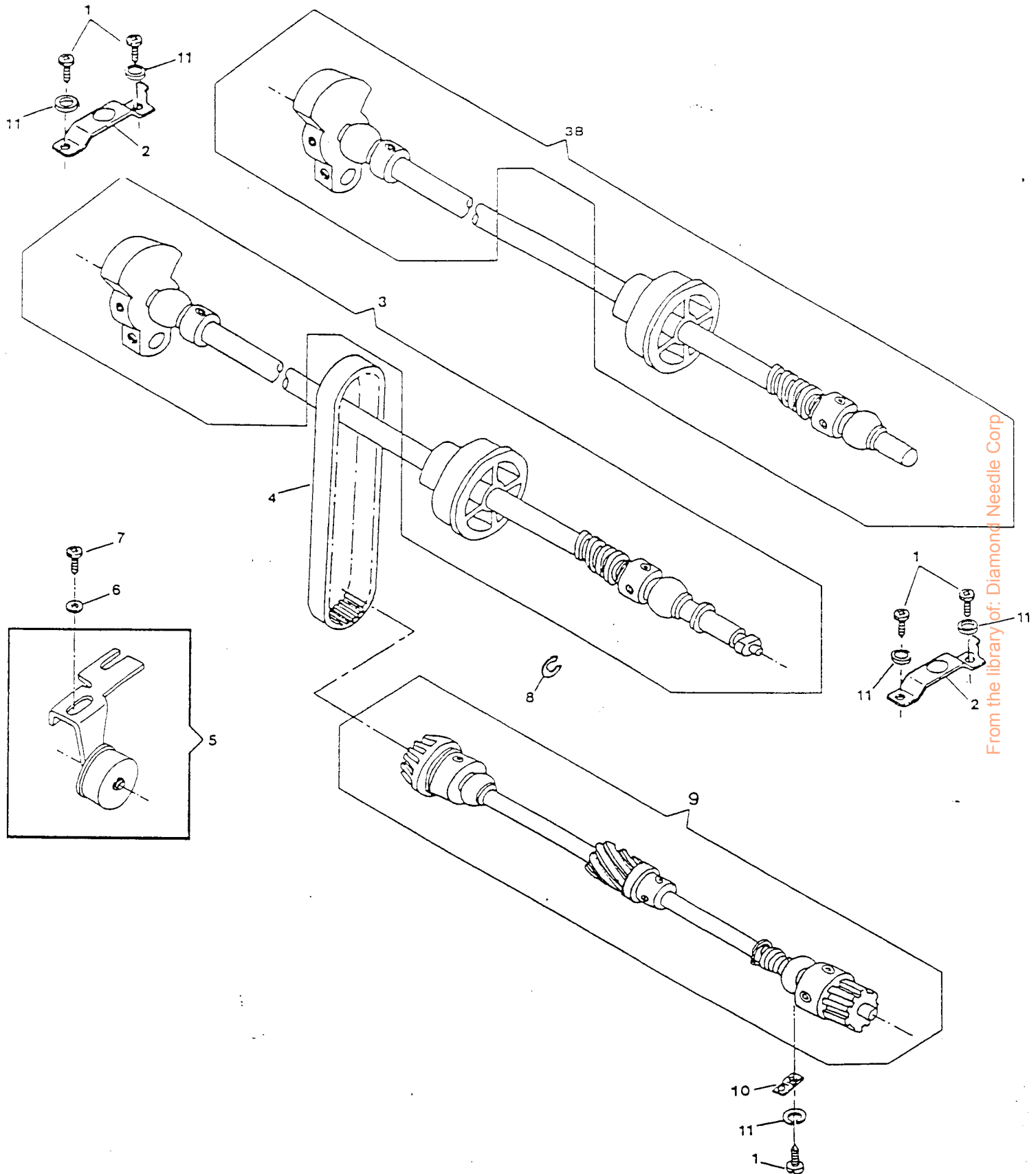
ARM TOP COVER



From the library of: Diamond Needle Corp

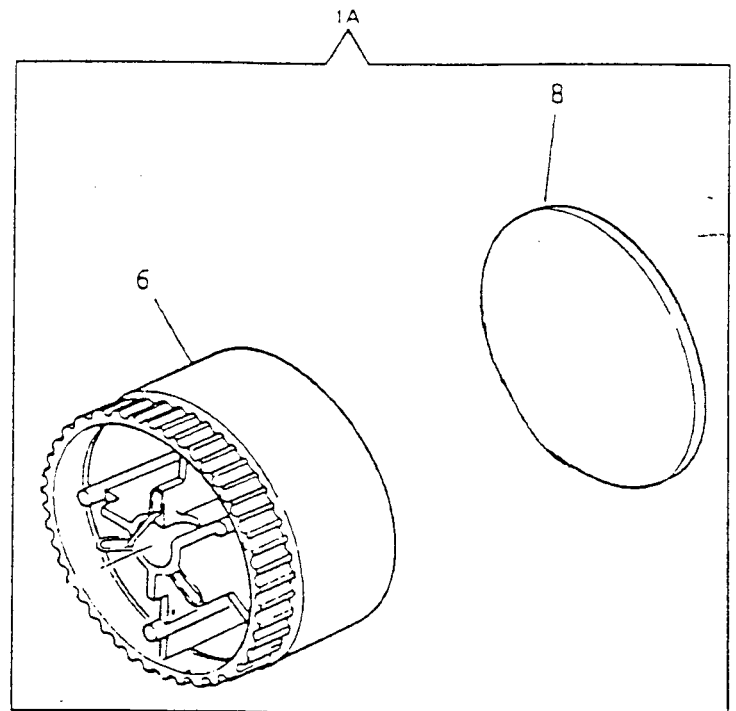
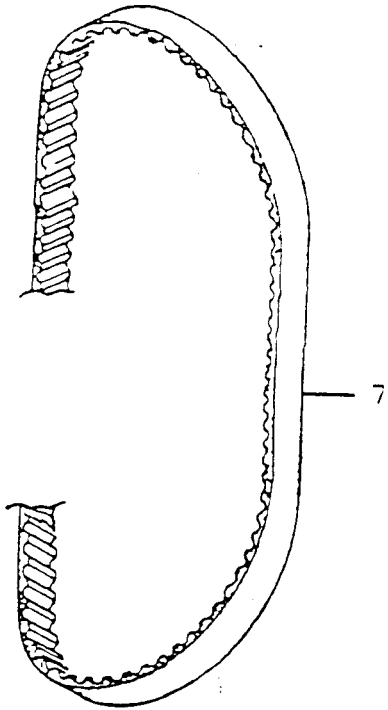
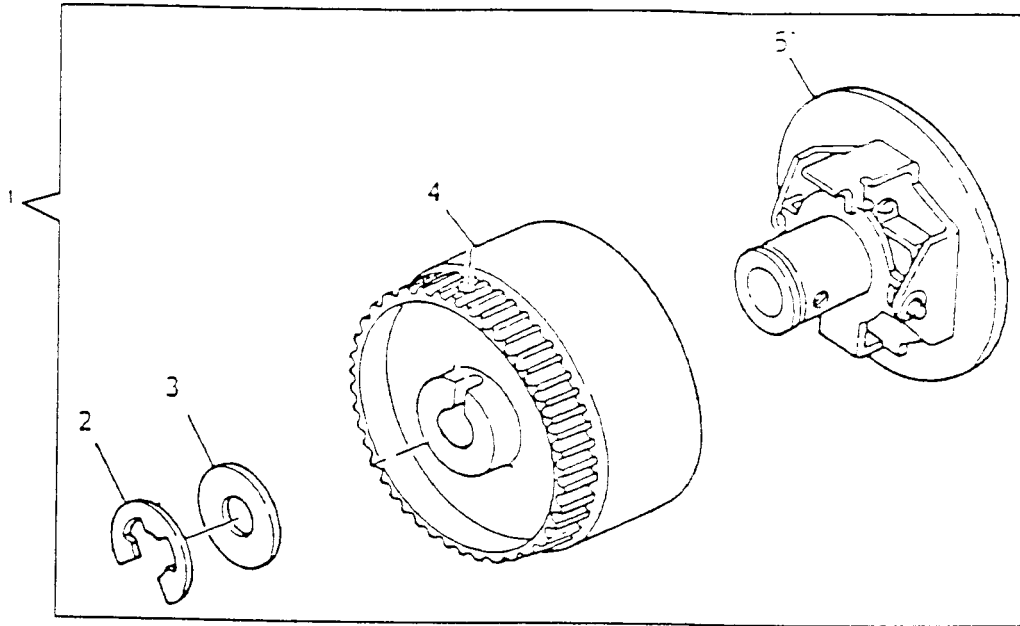
ARM SHAFT DRIVE SYSTEM
 MODEL: 7029N503 / 7035N603

REF. NO.	PART NO.	DESCRIPTION	7N	7N
			05	06
			20	30
			93	53
1	113455-001	ARM SHAFT (HORIZONTAL) BUSHING (LEFT & RIGHT) CLAMP SCREW	X	X
2	312796	ARM SHAFT (HORIZONTAL) BUSHING (LEFG & RIGHT) CLAMP	X	X
3B	286580-001	ARM SHAFT ASSEMBLY (APOLLO)	X	X
4	603975-011	BELT (ROTATING HOOK DRIVE) ALT: 603975-012	X	X
5	313195	IDLER BRACKET ASSEMBLY	X	X
6	314041-451	ROTATING HOOK DRIVING BELT TENSION ADJUSTER SCREW WASHER	X	X
7	113455-002	ROTATING HOOK DRIVING BELT TENSION ADJUSTER SCREW	X	X
8	313153	HAND WHEEL RETAINING RING	X	X
9	314010	ROTATING HOOK DRIVE SHAFT SUB-ASSEMBLY	X	X
10	313816	ROTATING HOOK DRIVE SHAFT BUSHING (SELF-ALIGNING) CLAMP	X	X
11	314013-451	ROTATING HOOK DRIVE SHAFT BUSHING (SELF-ALINGING) CLAMP SCREW AND ARM SHAFT BUSHING CLAMP SCREW LOCK WASHER	X	X



From the library of: Diamond Needle Corp

HAND WHEEL



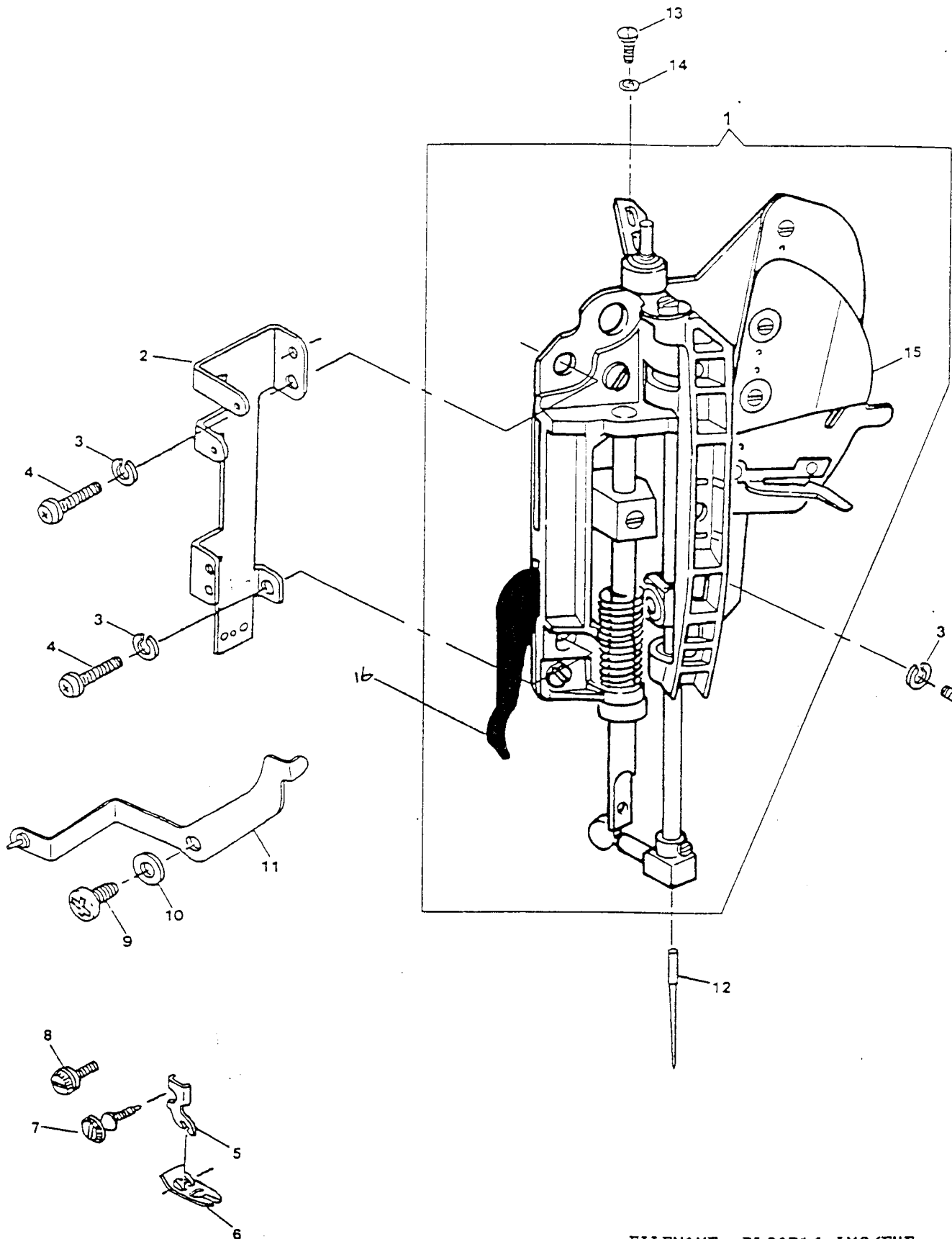
HAND WHEEL
 MODEL: 7029N503 / 7035N603

REF. PART NO.	PART NO.	DESCRIPTION	7N	7N
			05	06
			20	30
			93	53
1	286589-001	HAND WHEEL COMPLETE	X	X
2	286595-451	HAND WHEEL DESENGAGING CLUTCH BUSHING RETAINING RING	X	X
3	286596-451	HAND WHEEL DESENGAGING CLUTCH BUSHING PLASTIC WASHER	X	X
4	286590-451	HAND WHEEL (PLASTIC)	X	X
5	286586-451	HAND WHEEL DESENGAGING CLUTCH MECH. COMP.	X	X
7	312628-001	BELT (MOTOR DRIVE)	X	X

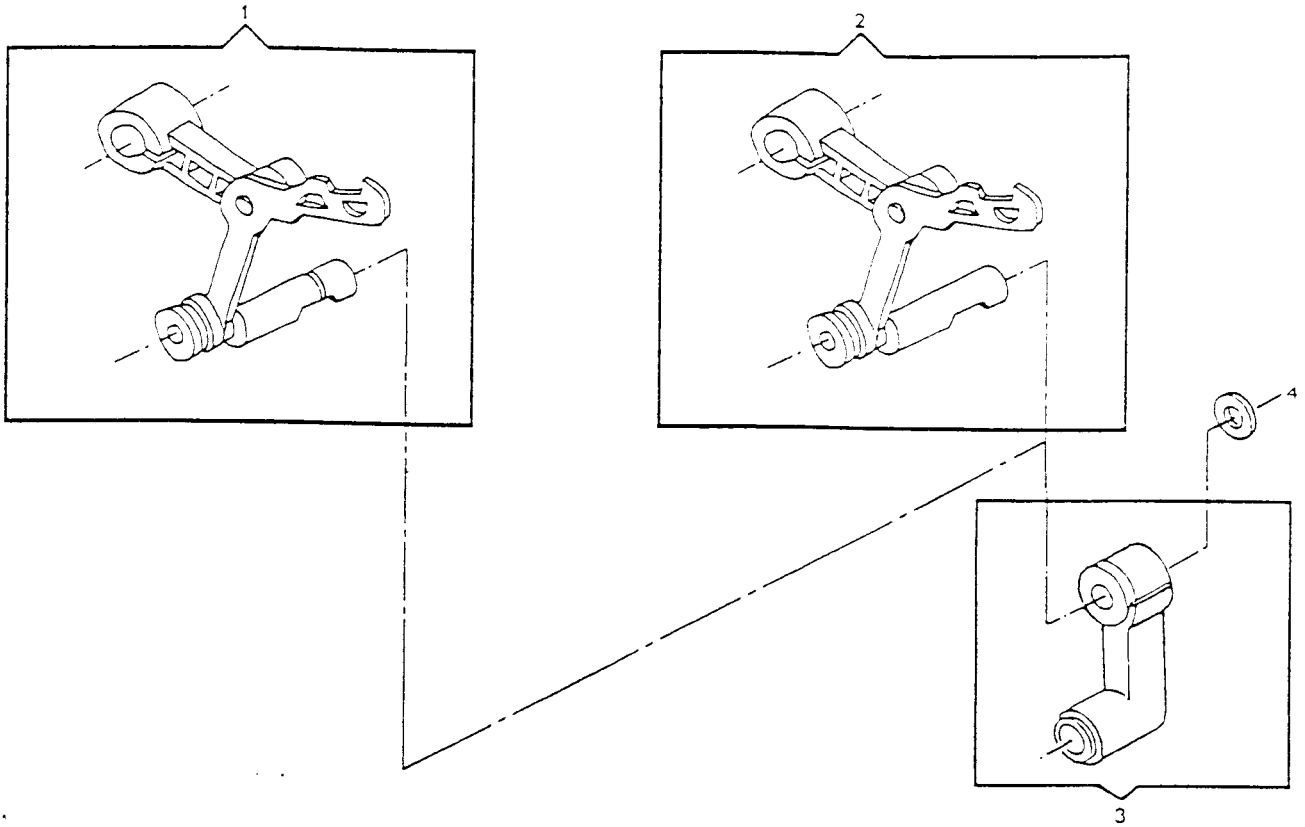
COAXIAL PRESSER BAR SYSTEM
 MODEL: 7029N503 / 7035N603

REF. NO.	PART NO.	DESCRIPTION	7N	7N
			05	06
			20	30
			93	53
1	314695-001	HEAD END MODULE (APOLLO)	X	
1	314695-002	HEAD END MODULE (APOLLO)		X
2	314591	FACE PLATE MOUNTING BRACKET	X	X
3	313955-451	HEAD END MOUNTING PLATE LOCK WASHER	X	X
4	113455-012	HEAD END MOUNTING PLATE SCREW	X	X
5	163706-451	PRESSER FOOT SHANK (SNAP-ON)	X	X
6	313150	PRESSER FOOT PLATE (SNAP-ON) FOR ZIG-ZAG SEWING	X	X
7	113531-451	PRESSER FOOT THUMB SCREW	X	X
8	314627-451	PRESSER FOOT THUMB SCREW	X	
9	113455-001	NEEDLE THREAD TENSION RELEASE LEVER HINGE SCREW	X	X
10	314041-451	NEEDLE THREAD TENSION RELEASE LEVER RETAINING WASHER	X	X
11	314589	NEEDLE THREAD TENSION RELEASE LEVER ASSEMBLY		X
11	317401	NEEDLE THREAD TENSION RELEASE LEVER ASSEMBLY	X	
12	N2020-014	NEEDLE (SIZE NO.14) (FOR 9143N654 FRANCE)	X	X
13	113408-001	NEEDLE BAR DRIVING ARM BALL JOINT SCREW	X	X
14	931929-004	NEEDLE BAR DRIVING ARM BALL JOINT SCREW WASHER	X	X
15	314690	THREAD PINCH PLATE	X	X
16	314582	PRESSER BAR LIFTER	X	X

314750-004



From the library of: Diamond Needle Corp



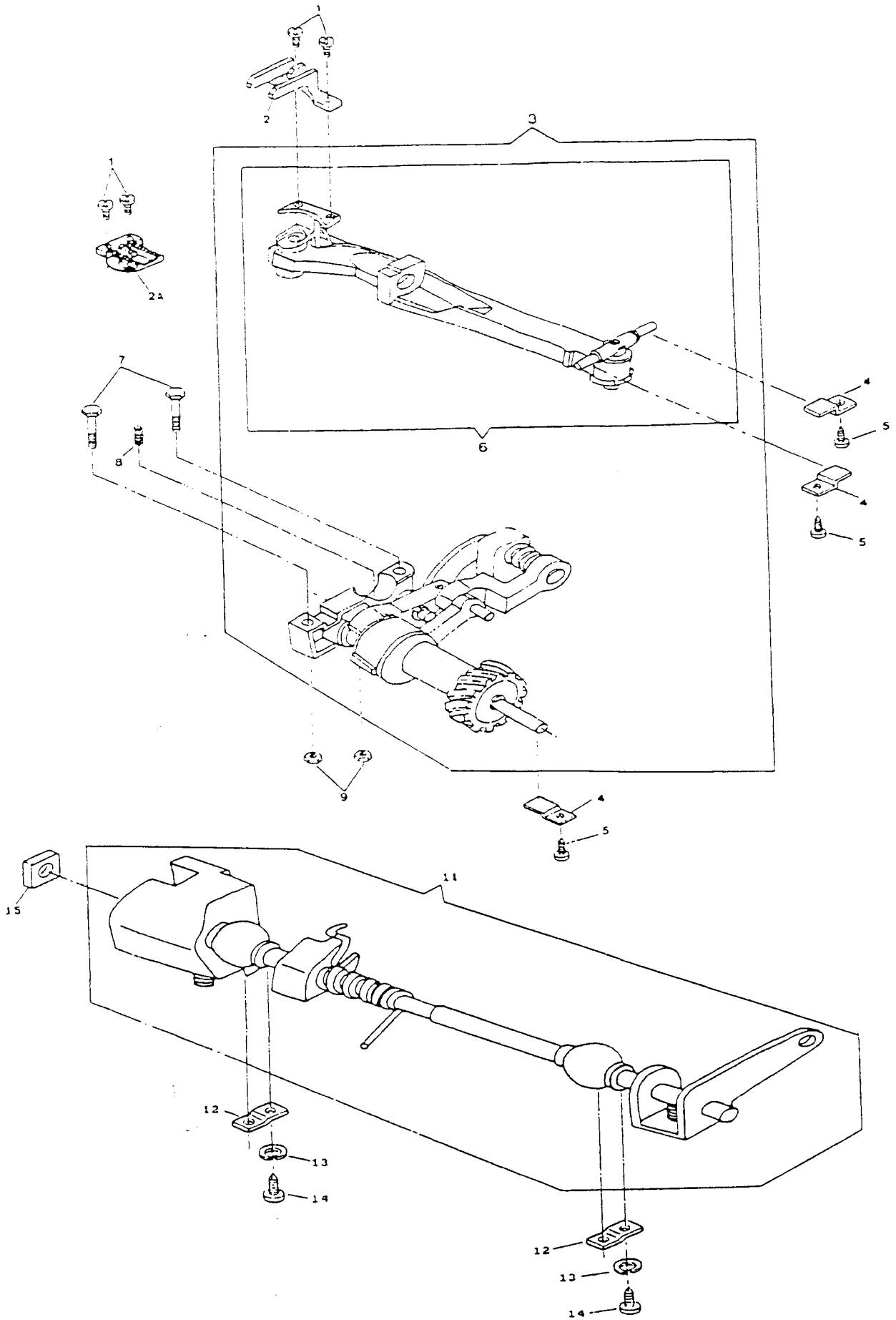
NEEDLE BAR & THREAD TAKE-UP FOR NEW HEAD END
MODEL: 7029N503 / 7035N603

REF. PART NO.	PART NO.	DESCRIPTION	7N	7N
			05	06
			20	30
			93	53
1	314694	THREAD TAKE-UP COMPLETE (APOLLO)	X	X
3	137528-901	NEEDLE BAR CONNECTING LINK	X	X
4	314071	WASHER, THREAD TAKE-UP LEVER	X	X

ALPHA FEED
 MODEL: 7029N503 / 7035N603

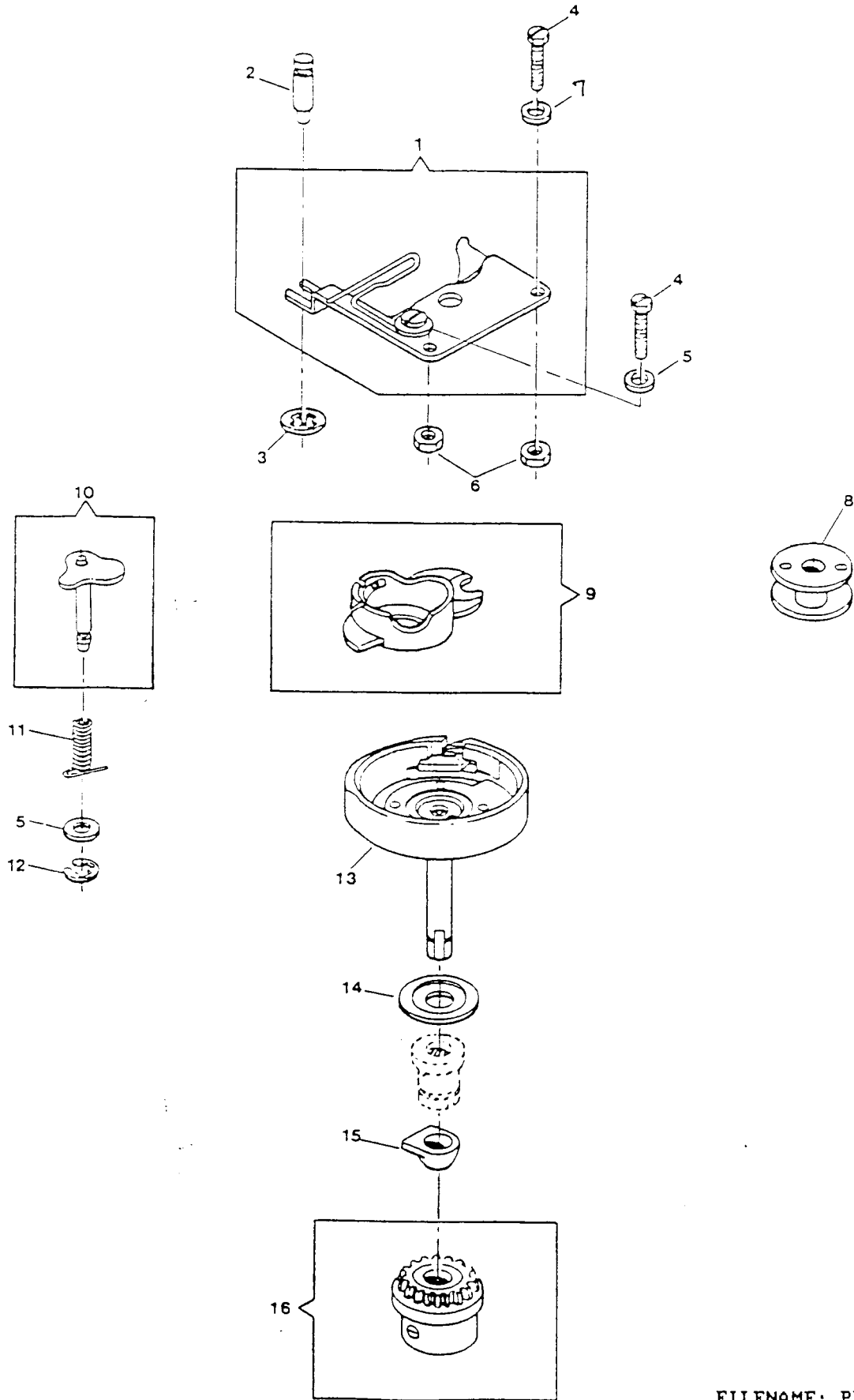
REF. PART NO.	PART NO.	DESCRIPTION	7N	7N
			05	06
			20	30
			93	53
1	141920-452	FEED DOG SCREW	X	X
2A	312679	FEED DOG (APOLLO) ALT:313171	X	X
3	314140-002	ALPHA FEED MODULE (ALT:313011)	X	X
4	312851	FEED BAR PIVOT HING STUD CLAMP	X	X
5	113455-003	CLAMP SCREW	X	X
6	314141	FEED BAR ASSEMBLY	X	X
7	354921-451	FEED & ROTATING HOOK DRIVE SHAFT BEARING BLOCK SCREW	X	X
8	314070	ROTATING HOOK DRIVE SHAFT BUSHING SPING	X	X
9	514674-451	FEED & ROTATING HOOK DRIVE SHAFT BEARING BLOCK MOUNTING SCREW NUT	X	X
11	313133	FEED REGULATOR SHAFT ASSEMBLY	X	X
12	313816	FEED REGULATOR SHAFT BUSHING (SELF-ALIGNING) CLAMP	X	X
13	314013-451	FEED REGULATOR SHAFT BUSHING (SELF-ALIGNING) CLAMP SCREW LOCK WASHER	X	X
14	113455-001	FEED REGULATOR SHAFT BUSHING (SELF-ALIGNING) CLAMP SCREW	X	X
15	511030	FEED REGULATOR SLIDE BLOCK	X	X

From the library of: Diamond Needle Corp



From the library of: Diamond Needle Corp

REV. DATE: 12/15/94 PAGE:19
HOOK SYSTEM (APOLLO)

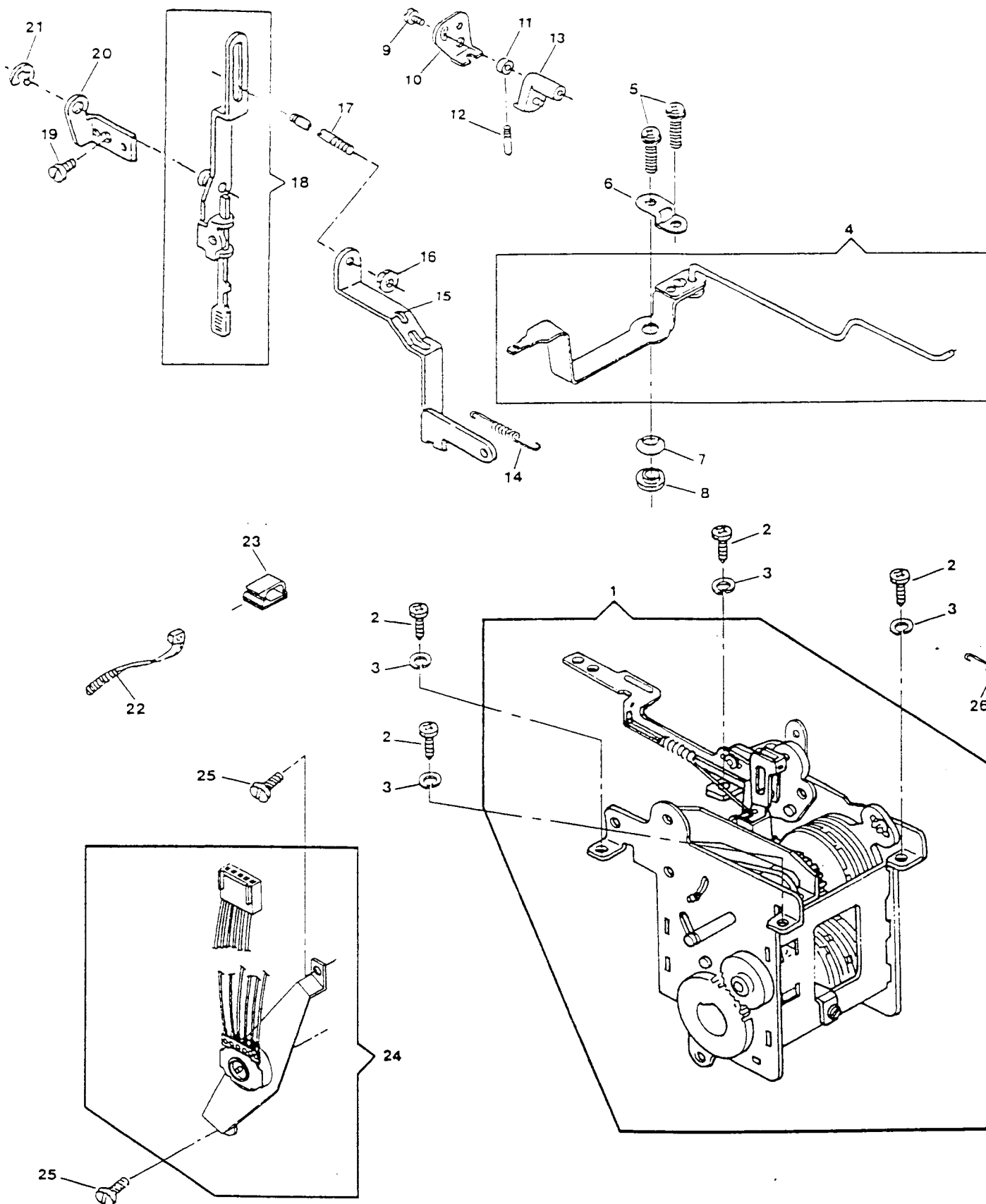


From the library of: Diamond Needle Corp

HOOK SYSTEM (APOLLO)
 MODEL: 7029N503 / 7035N603

REF. NO.	PART NO.	DESCRIPTION	7N	7N
			05	06
			20	30
			93	53
1	313089	ROTATING HOOK BOBBIN CASE POSITION PLATE ASSEMBLY	X	
1	314066	ROTATING HOOK BOBBIN CASE POSITION PLATE ASSEMBLY (ALT: 313089)		X
2	312603	ROTATING HOOK BOBBIN CASE POSITION PLATE HOLD DOWN STUD	X	X
3	313161	ROTATING HOOK BOBBIN CASE POSITION PLATE HOLD DOWN STUD RETAINER	X	X
4	113439-451	ROTATING HOOK BOBBIN CASE POSITION PLATE SCREW	X	X
5	313190-451	ROTATING HOOK BOBBIN CASE POSITION PLATE SCREW WASHER	X	X
6	313945-451	ROTATING HOOK BOBBIN CASE POSITION PLATE SCREW NUT	X	X
7	446138	ROTATING HOOK BOBBIN CASE POSITION PLATE SCREW WASHER (RIGHT)	X	X
8	172336-001	ROTATING HOOK BOBBIN (PLASTIC)	X	X
9	421325	ROTATING HOOK BOBBIN CASE COMPLETE	X	X
10	312846	ROTATING HOOK BOBBIN CASE RETAINING PLATE SUB-ASSEMBLY	X	X
11	312607	ROTATING HOOK BOBBIN CASE RETAINING PLATE STUD SPRING	X	X
12	313783	ROTATING HOOK BOBBIN CASE RETAINING PLATE STUD RETAINING RING	X	X
13	314025	ROTATING HOOK COMPLETE		X
13	447926-932	ROTATING HOOK COMPLETE	X	
14	314049	ROTATING HOOK FLANGED BUSHING THRUST WASHER	X	X
15	312847	ROTATING HOOK FLANGED BUSHING WASHER	X	X
16	314101-900	ROTATING HOOK BEVEL GEAR COMPLETE (ALT: 314012)	X	X

REV. DATE: 12/15/94 PAGE: 23
PATTERN STITCH LENGTH CONTROL AND CAM CONTROLLED FEED

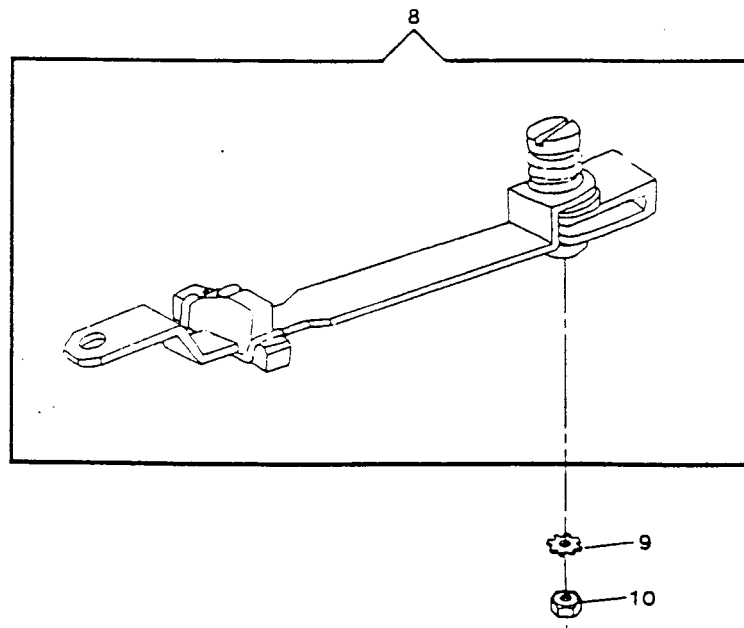
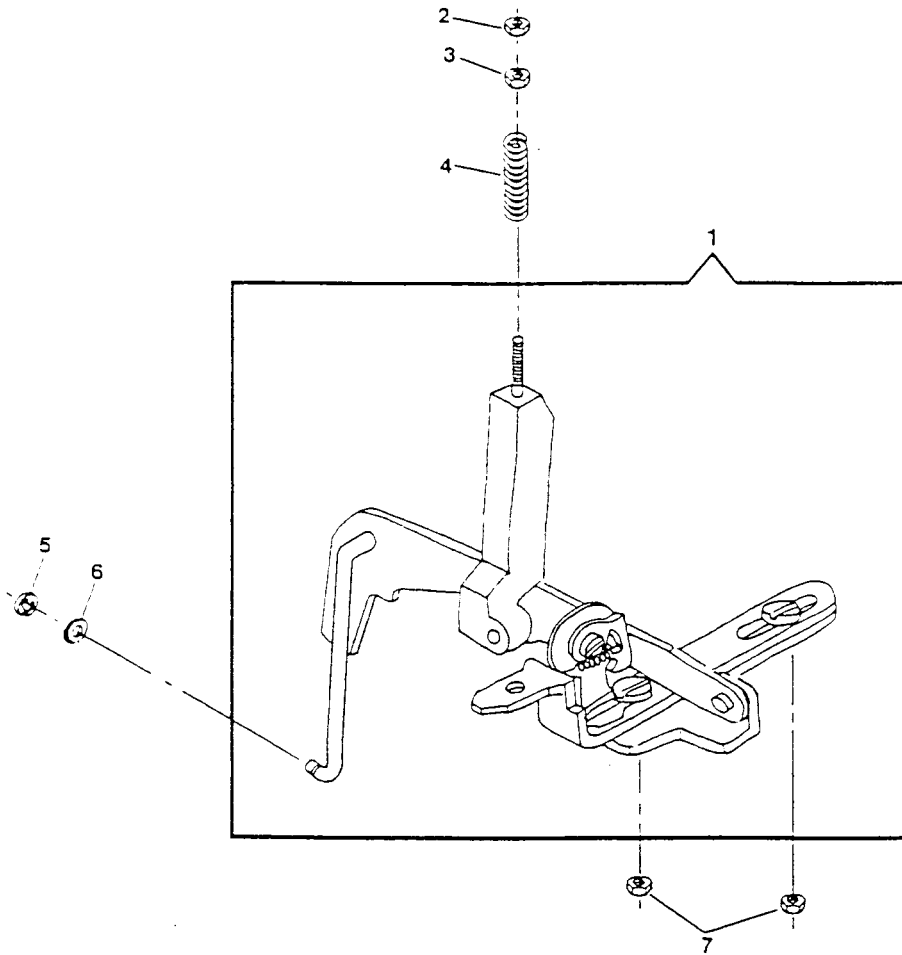


From the library of: Diamond Needle Corp

PATTERN, STITCH LENGTH CONTROL & CAM CONTROLLED FEED
 MODEL: 7029N503 / 7035N603

REF. PART NO.	PART NO.	DESCRIPTION	7N	7N
			05	06
			20	30
			93	53
1	314601-001	PATTERN SELECTOR MODULE		X
1	314601-012	PATTERN SELECTOR MODULE	X	
2	113455-001	DISCSELECTOR MECHANISM MOUNTING PLATE SCREW (LEFT AND RIGHT)	X	X
3	314013-451	DISC SELECTOR MECHANISM MOUNTING PLATE SCREW (LEFT AND RIGHT)	X	X
4	314607-003	BIGHT AMPLITUDE CONTROL LEVER ASSEMBLY	X	X
5	113455-014	BIGHT AMPLITUDE CONTROL LEVER STOP ADJUSTMENT SCREW	X	X
6	314683	BIGHT AMPLITUDE CONTROL LEVER RETAINER	X	X
7	353457	BIGHT AMPLITUDE CONTROL LEVER FRICTION WASHER	X	X
8	314611	BIGHT AMPLITUDE CONTROL LEVER SHOULDER WASHER	X	X
26	314497	NEEDLE BAR DRIVING ARM SLIDE POSITIONING SPRING	X	X

PATTERN STITCH LENGTH CONTROL AND CAM CONTROLLED FEED (CONT.)



From the library of: Diamond Needle Corp

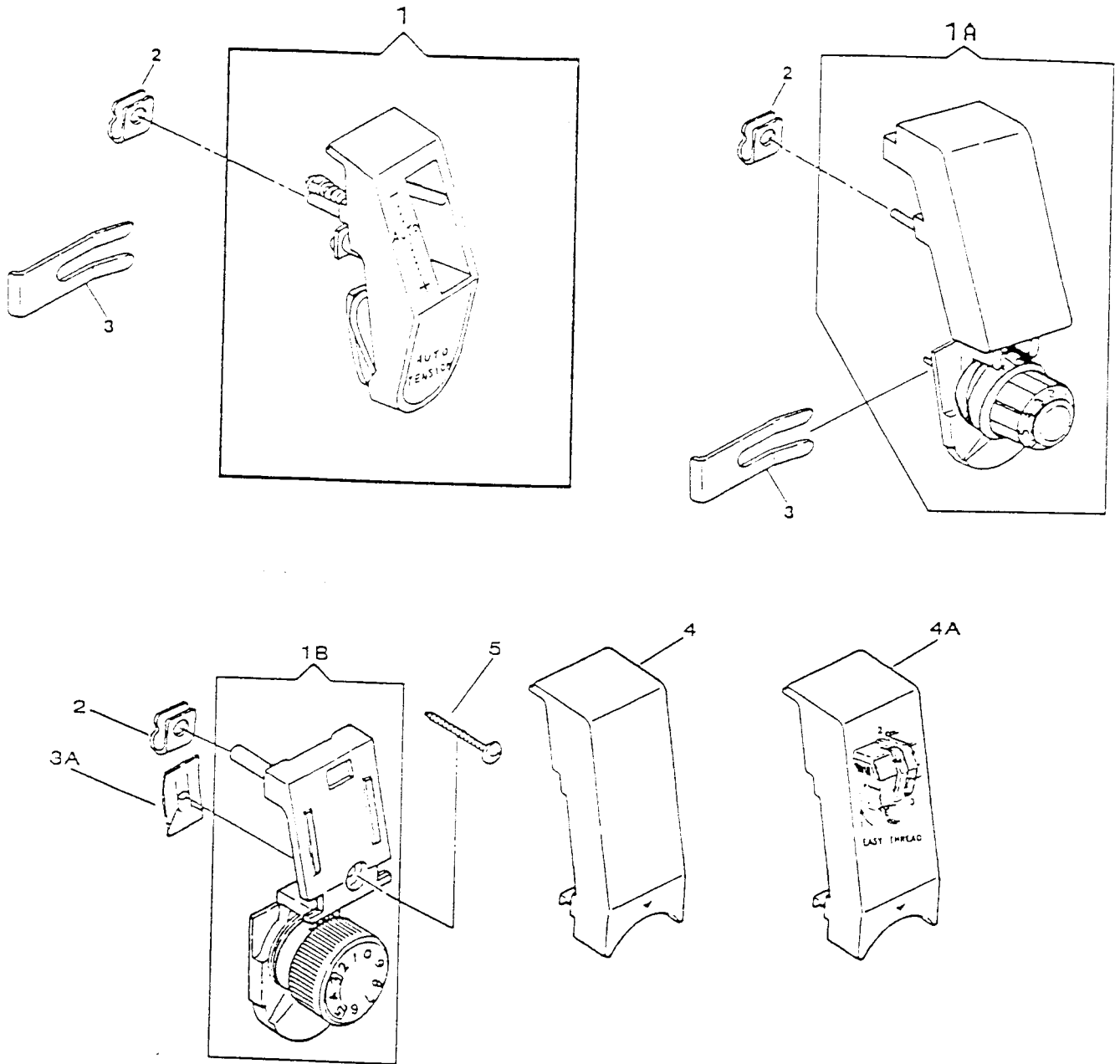
PATTERN, STITCH LENGTH CONTROL & CAM CONTROLLED FEED (CONT.)
 MODEL: 7029N503 / 7035N603

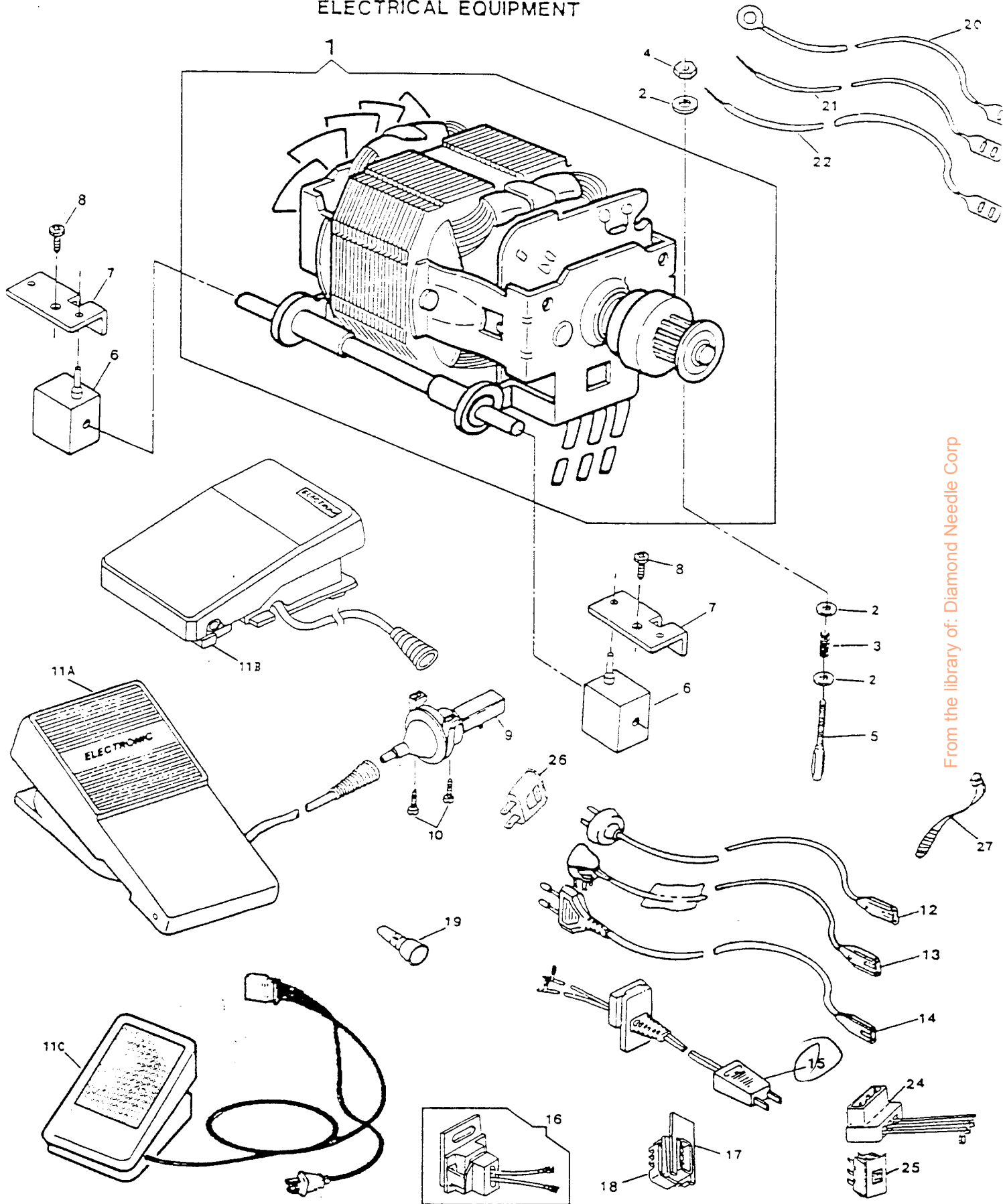
REF. PART NO.	PART NO.	DESCRIPTION	7N	7N
			05	06
			20	30
			93	53
1	314300-001	FEED REVERSE MECHANIS	X	X
2	514674-451	CAM CONTROLLED FEED CONNECTING ROD LOCKING NUT	X	X
3	312645-451	CAM CONTROLLED FEED DISC FOLLOWER ACTUATOR CONNECTING ROD ADJUSTING	X	X
4	313143	CAM CONTROLLED FEED DISC FOLLOWER ACTUATOR CONNECTING ROD SPRING	X	X
5	312702	FEED LEVER CONNECTING LINK RETAINING RING	X	X
6	313891	CAM CONTROLLED FEED CONNECTING ROD STABILIZING WASHER	X	X
7	514674-451	REVERSE FEED CONTROL LEVER GUIDE SCREW NUT	X	X
8	313569-001	STITCH LENGTH CONTROL LEVER ASSEMBLY	X	X
9	313172-451	STITCH LENGTH CONTROL LEVER PIVOT LOCK WASHER	X	X
10	313177-451	STITCH LENGTH CONTROL LEVER NUT	X	X

From the library of: Diamond Needle Corp

DEMAND RESPONSIVE NEEDL TENSION SYSTEM
 MODEL: 7029N503 / 7035N603

REF. PART NO.	NO.	DESCRIPTION	7N	7N
			05	06
			20	30
			93	53
1	313077-025	THREAD TENSION MODULE		X
1B	137574-001	THREAD TENSION MODULE		X
2	313199	TENSION COVER MOUNTING RETAINER	X	X
3	313047	TENSION COVER RETAINING CLIP		X
3A	137584	TENSION COVER RETAINING CLIP		X
4A	137698-001	TENSION COVER ASSY (FRONT) WITH THREADING INSTRUCTION LABEL		X





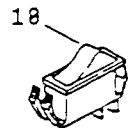
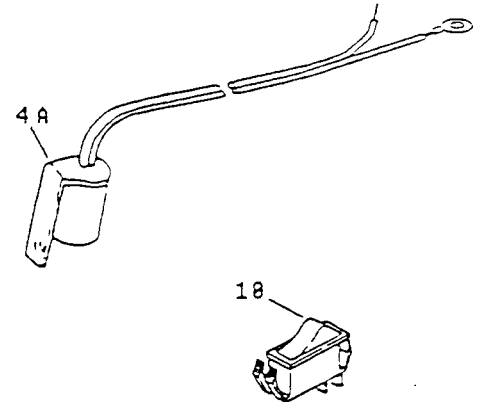
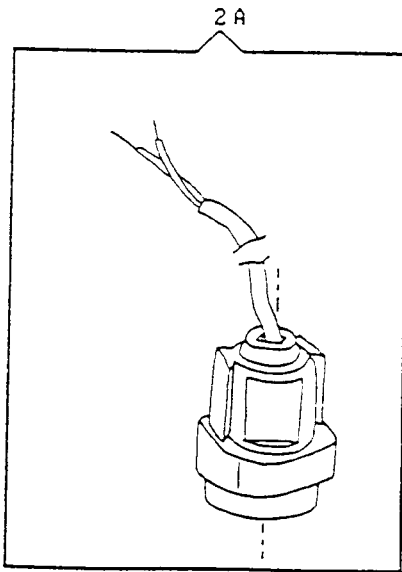
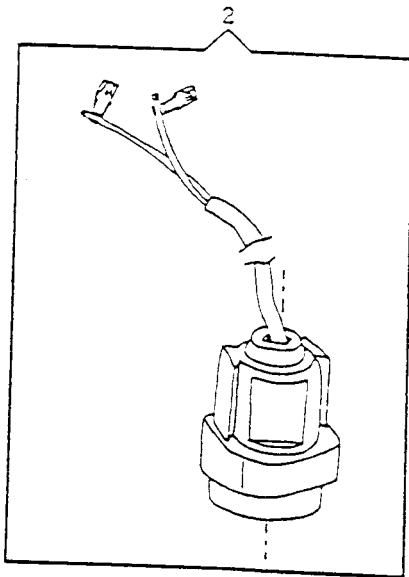
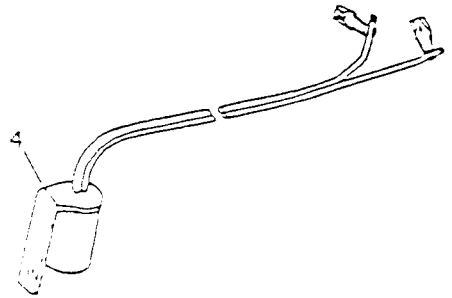
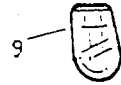
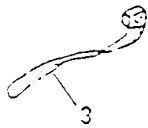
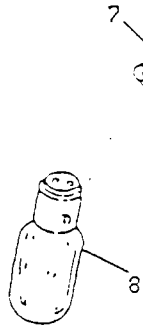
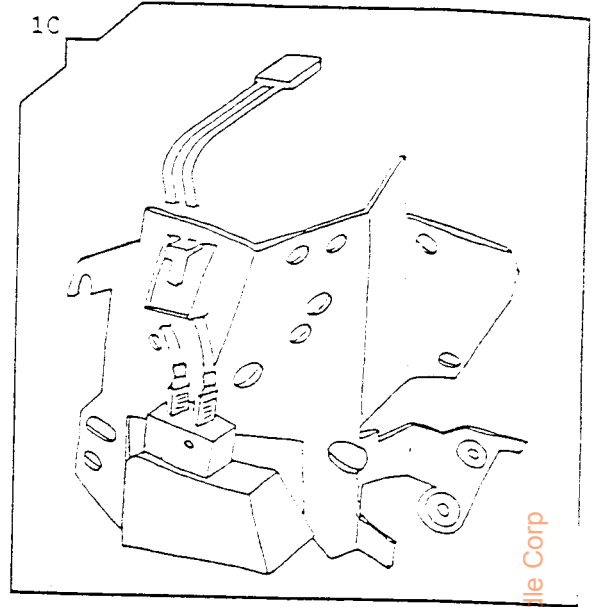
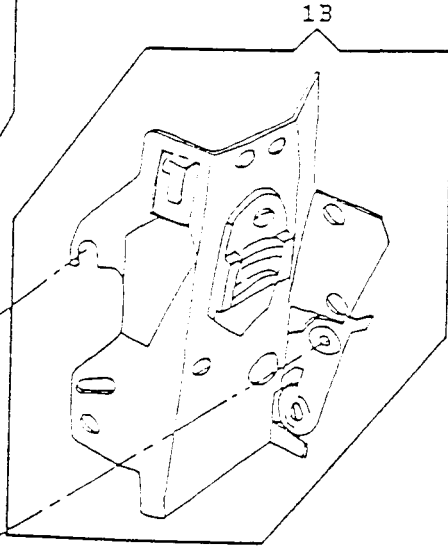
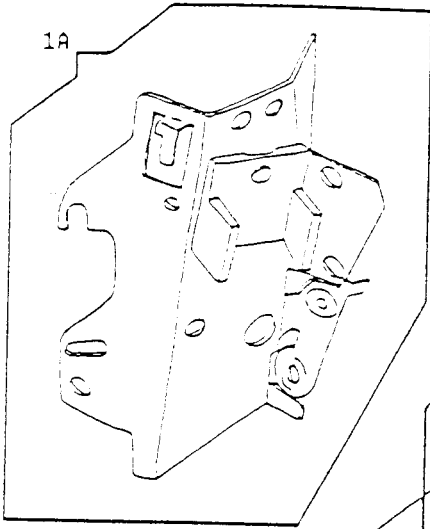
From the library of: Diamond Needle Corp

ELECTRICAL EQUIPMENT
 MODEL: 7029N503 / 7035N603

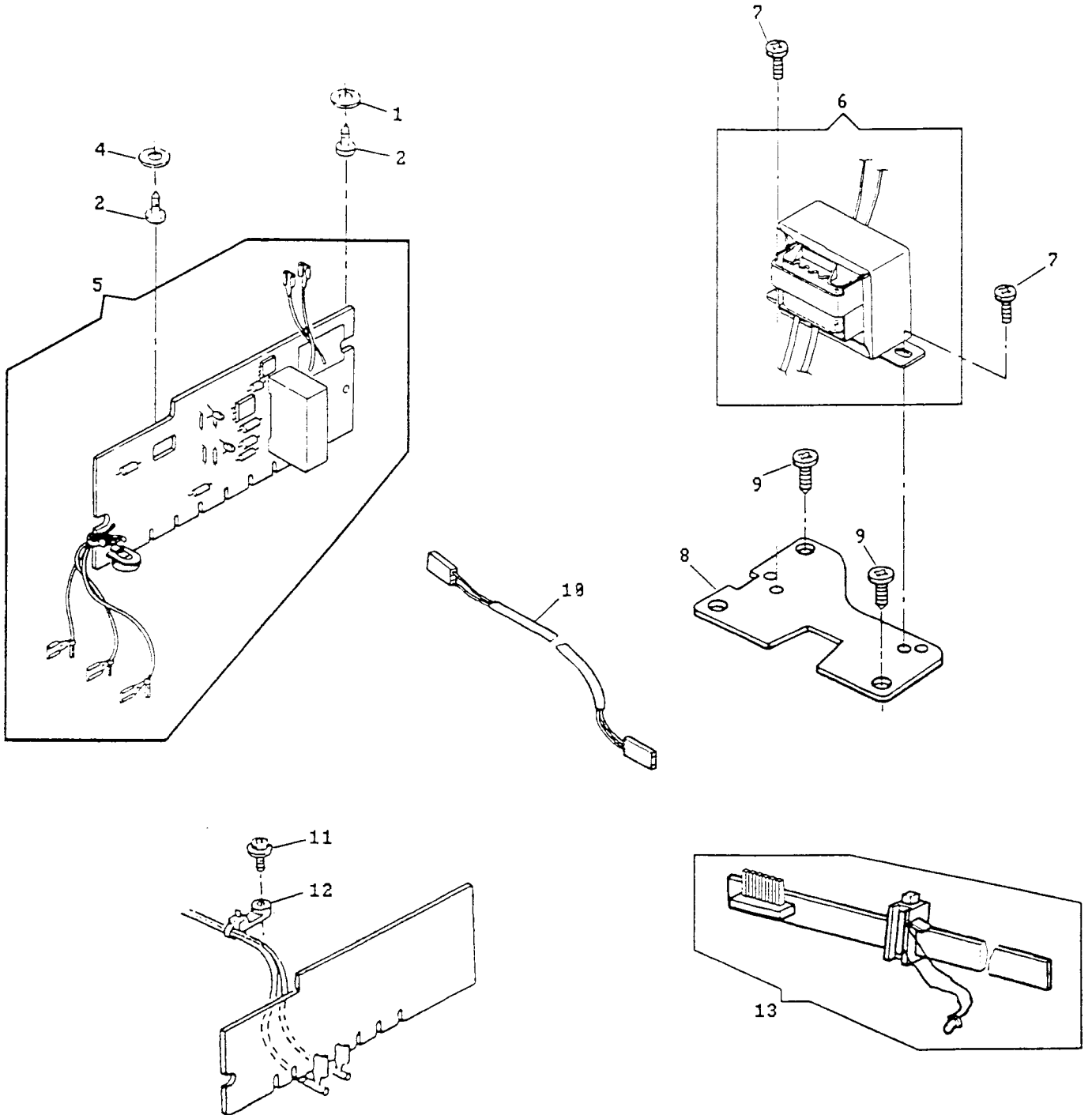
REF. NO.	PART NO.	DESCRIPTION	7N	7N
			05	06
			20	30
			93	53
1	317352	MOTOR COMPLETE (120V CARBON PILE)	X	
1	988529-009	MOTOR COMPLETE (CAT. NO. TA4-8) (120V) (NATIONAL MOTOR)		X
2	37969	MOTOR ADJUSTING STUD NUT WASHER	X	X
3	314058-001	MOTOR BELT TENSION SPRING	X	X
4	53646	MOTOR ADJUSTING STUD NUT	X	X
5	988653-001	MOTOR ADJUSTING STUD	X	X
6	979329-001	RESILIENT MOUNT	X	X
7	988651-001	CLIP	X	X
8	113470-004	MOTOR MOUNTING SCREW	X	X
9	988549-005	PNEUMATIC TRANSDUCER		X
10	113444-003	PNEUMATIC TRANSDUCER MOUNTING SCREW		X
11A	988667-001	PNEUMATIC CONTROLLER ASSEMBLY		X
11C	319003-005	TRIAC FOOT CONTROLLER (DUAL VOLTAGE) (FOR U.S.A.)	X	
15	979595-001	CORD W/STRAIN RELIEF AND PLUG (120V) FOR U.S./CANADA		X
17	317374-901	HOLDER (120V)	X	
18	317421	RECEPTACLE (120V)	X	
19	317355	WIRE CONNECTOR	X	
21	317356-004	LEAD W/TERMINAL ASSEMBLY	X	
20	317356-009	LEAD W/TERMINAL ASSEMBLY (230/240V)	X	

ELECTRICAL EQUIPMENT (CONT.)
MODEL: 7029N503 / 7035N603

REF. PART NO. NO.	DESCRIPTION	7N 7N	05 06	20 30	93 53
1B 314823-003	LINT AND HEAD SHIELD ASSEMBLY (120V)	X	X		
3 540899	TY-WRAP SELF-LOCKING (ALT:605600-001)	X	X		
4 988728-001	LAMP SOCKET (120V) (U.S.A./CANADA)				X
4A 317397-902	LAMP SOCKET ASSEMBLY (120V, DOUBLE INSULATION)	X			
5 113455-003	THREAD TAKE-UP COVER AND LINT/HEAT SHIELD SCREW	X	X		
7 137813-002	SCREW, LINT AND HEAT SHIELD MOUNTING	X	X		
8 194120-019	LIGHT BULB (120V) (ALT:542656-005) (DUAL VOLTAGE FOR U.S.A/KOREA/GERMANY & H.K.)	X	X		
10 979585-007	ROCKER SWITCH (#3913) (FOR 9143N654 FRANCE)	X	X		



From the library of: Diamond Needle Corp



From the library of: Diamond Needle Corp

ELECTRICAL EQUIPMENT (CONT.)
 MODEL: 7029N503 / 7035N603

REF. PART NO.	PART NO.	DESCRIPTION	7N	7N
			05	06
			20	30
			93	53
1	988547-002	WASHER, P.C. BOARD MOUNTING		X
2	113444-001	SCREW, P.C. BOARD MOUNTING		X
5	979584-001	SPEED CONTROL P.C. BOARD ASSEMBLY (120V) (FULL WAVE)		X
11	113455-001	SCREW, LIGHT HARNESS		X
12	604690-001	SELF-LOCKING NYLON CABLE TIE, LIGHT HARNESS		X